

DEM – Planning the future

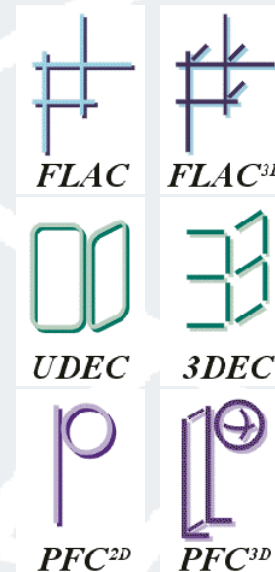
Dr. Lothar te Kamp

ITASCA Consultants GmbH

Gelsenkirchen, Germany

ITASCA Consultants

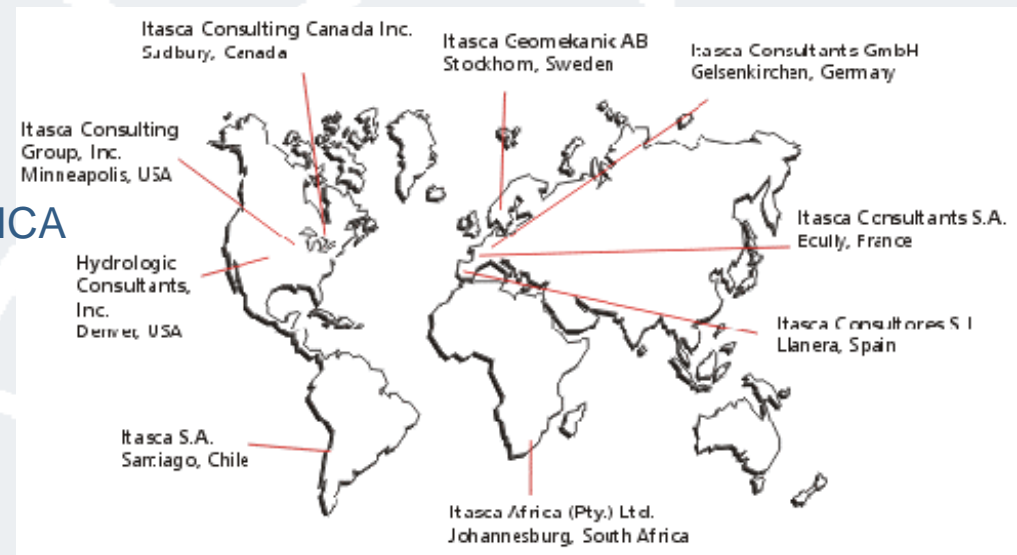
- Founded 25 years ago as a geotechnical consulting firm
- We provide software
 - **FLAC / FLAC3D**
Continuum code
 - **UDEC / 3DEC**
DEM – jointed rock mass
deformable elements
 - **PFC2D / PFC3D**
DEM – particle assemblies



ITASCA Consultants

➤ Offices in

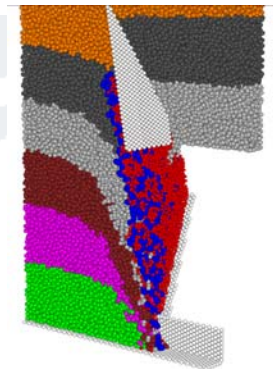
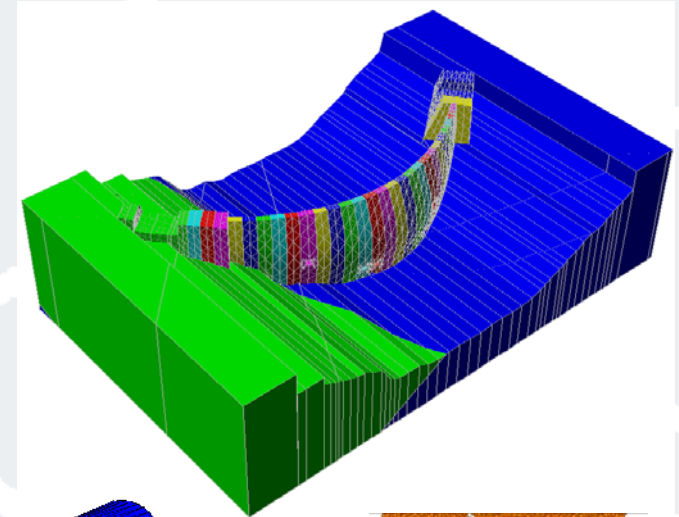
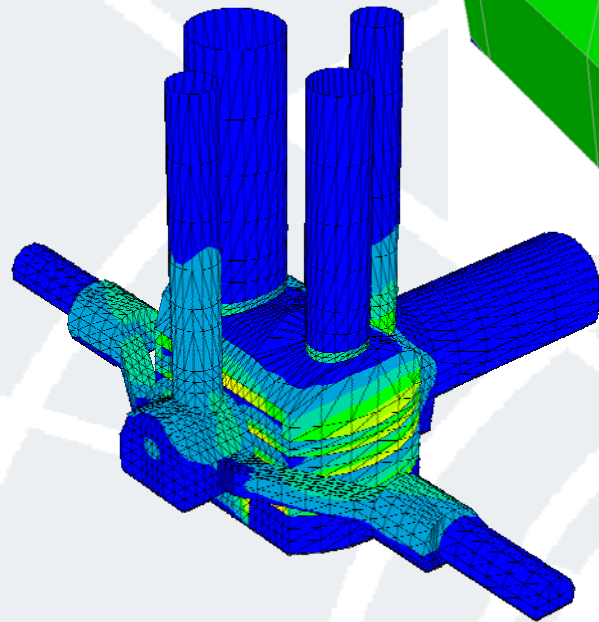
- Sudbury, CANADA
- Santiago, CHILE
- Wuhan, China
- Lyon, FRANCE
- Gelsenkirchen, GERMANY
- Shizuoka, JAPAN
- Johannesburg, SOUTH AFRICA
- Oviedo, SPAIN
- Stockholm, SWEDEN
- Minneapolis, USA



ITASCA Consultants

➤ We provide consulting

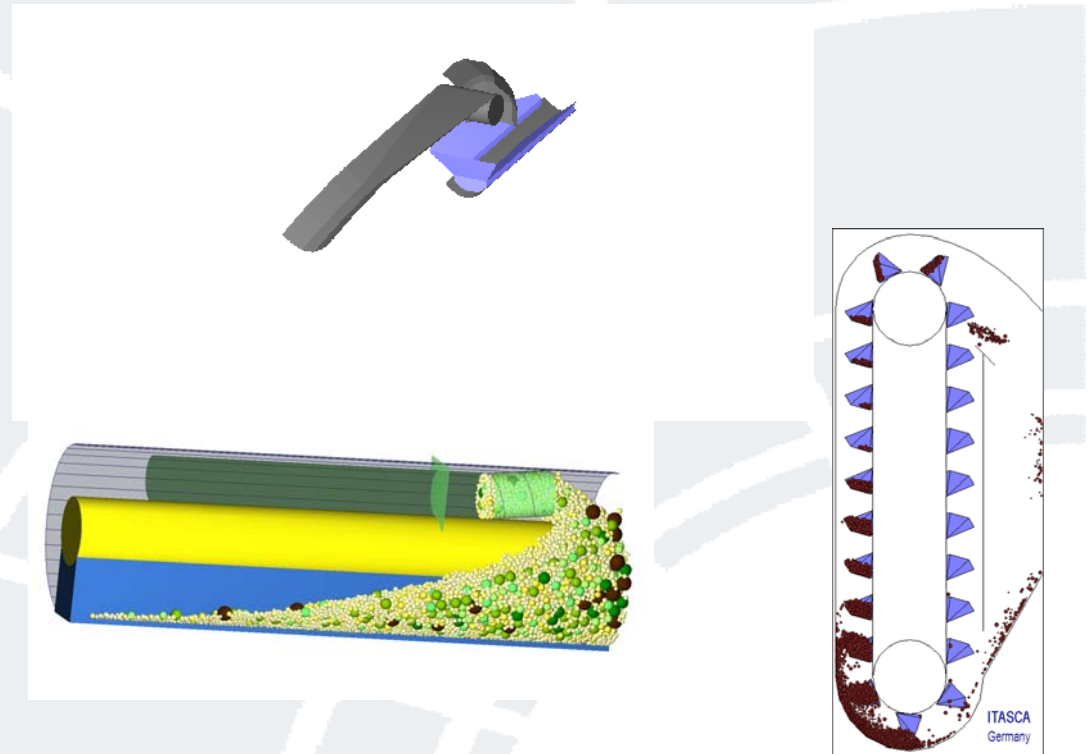
- Geotechnics
- Civil engineering
- Mining
- Waste disposal
- Tunneling
- Slopes
- Groundwater flow



ITASCA Consultants

➤ We provide consulting

- Storage
- Conveying
- Dosing
- Agglomeration
- Peletting
- Sorting
- Blending



Planning the future

➤ Application

- More acceptance from industry
- New fields of application

➤ Development

- Mechanics and Physics
- Model size
- Calculation speed

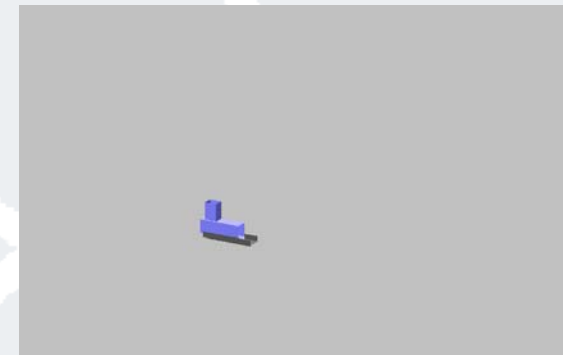
Application

- More acceptance from industry
 - Prove that DEM can
 - Solve their problems
 - Reduce costs
 - Replace costly experiments
 - Support the design
 - Prove concepts



Application

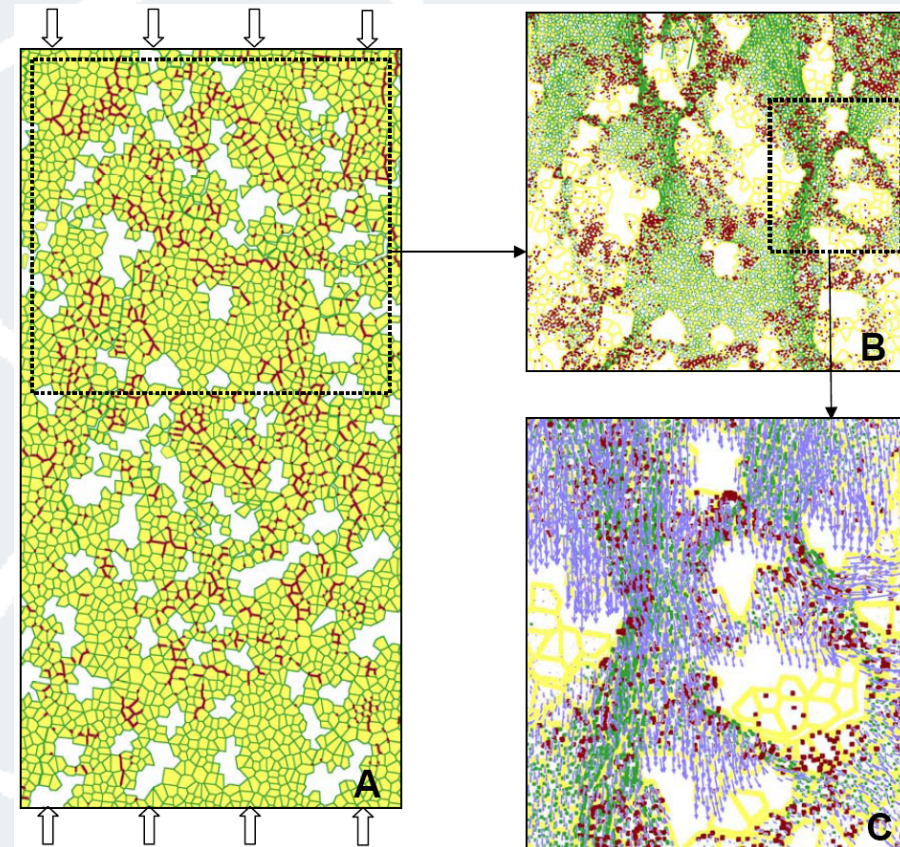
- More acceptance from industry
 - Validation of the DEM
 - Run selected problems with good experimental backup
 - Numerical prove of concepts
 - Definition of standards
 - E.g., influence of model setup



Application

➤ New fields

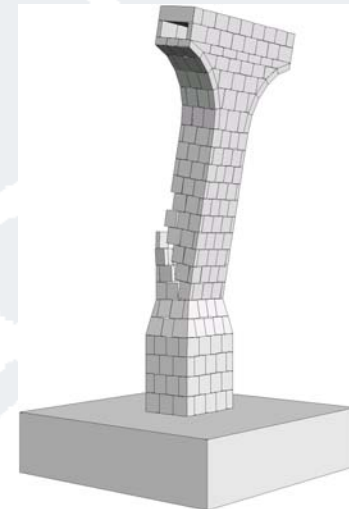
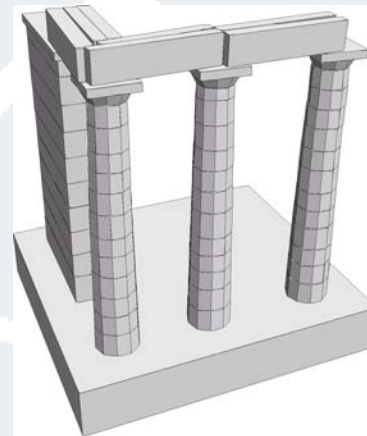
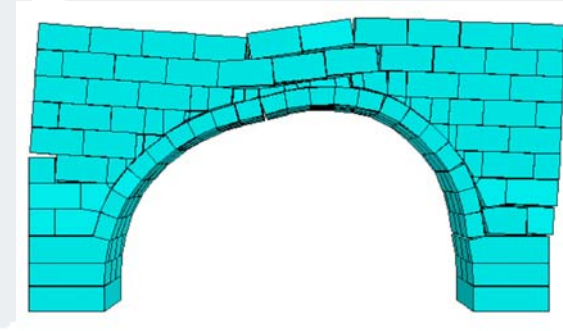
- Loading and damage of mineral structures



Application

➤ New fields

- Masonry and buildings under static and dynamic load



Development

➤ Mechanics and Physics

- Material behavior
 - Contact models
 - Particle shape
- Other effects
 - e.g. electrostatic charge
- Coupling
 - Fluid
 - Thermal

Development

- Model size / computation time
 - Scaling laws
 - Different algorithms
 - Different hardware
 - Different compilers

Remarks

- Researcher and software vendors strongly depend on the input from industry
- Identify a few selected problems and validate DEM
- Set up a strategy for future development
 - Identify the needs
 - Identify potential fields of application
 - Questionnaire ?
- More cooperation of universities and the software vendors

Thank you for your attention !